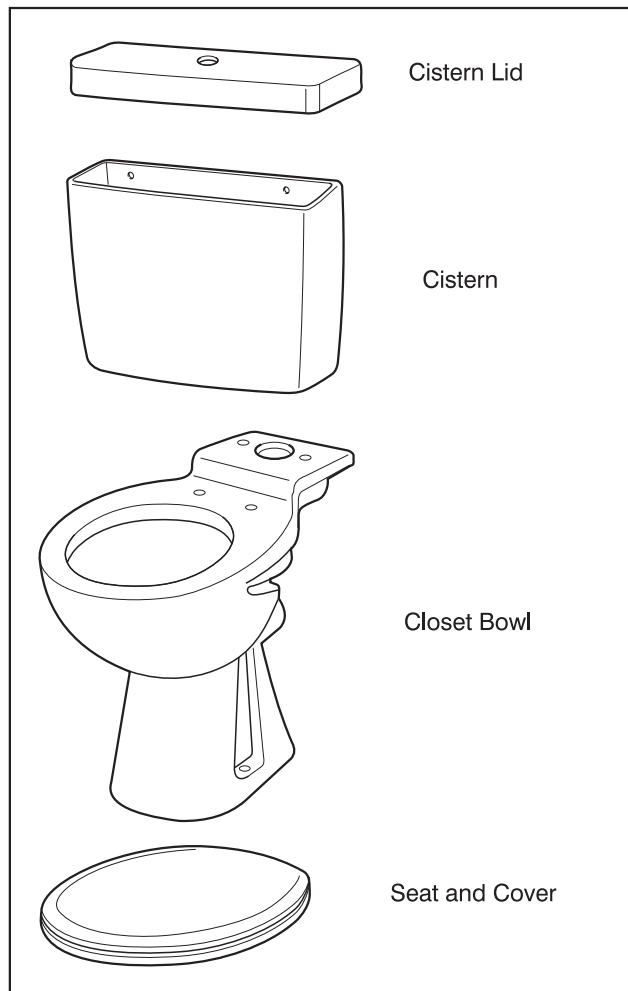


*Armitage
Shanks*

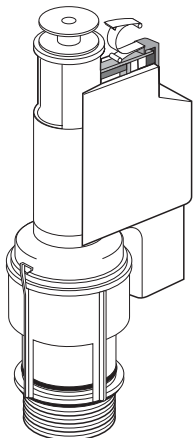
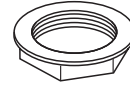
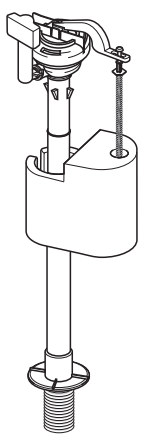



Close Coupled WC
Assembly and
Installation Instructions

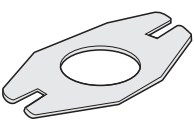
















Parts Supplied



Fixings Supplied

A	B	D	E
 Flush Valve	 Flush Valve Backnut	 Inlet Valve	 Inlet Valve Backnut
x 1	x 1	x 1	x 1
	C		F
	 Flush Valve Washer		 Inlet Valve Washer
	x 1		x 1

G	H	I	J	K
 Coupling Plate	 Coupling Plate Bolt	 Coupling Plate Washer	 Coupling Plate Wing Nut	 Sealing Gasket (Donut Washer)
x 1	x 2	x 2	x 2	x 1

L	M	O	P	R	T
 Push-Button	 Push Button Washer	 Ratchet Bar	 Plunger 'A'	 Push Button Cover Cap	 Flow Restrictor
x 1	x 1	x 4	x 1	x 1	x 1
	N		Q	S	U
	 Push Button Backnut		 Plunger 'B'	 Push Button Cover Cap	 Screw Cover Cap
	x 1		x 1	x 1	x 5

Tools Required (not supplied)

- Adjustable Spanner
- Screwdriver
- Sharp Knife
- Pencil or Marker Pen
- Power Drill and suitable bit(s)

Parts Required (not supplied)

- Brass Screws and Fixing Plugs to secure the cistern to the wall
- Brass Screws and Fixing Plugs to secure the pan to the floor

Before You Start

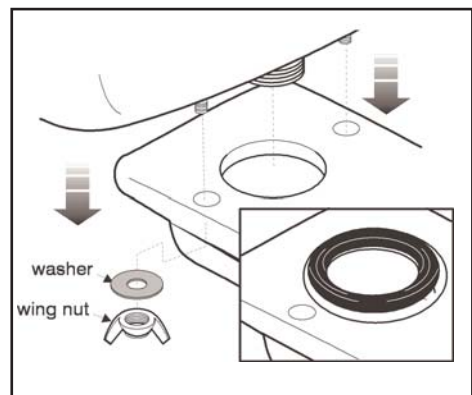
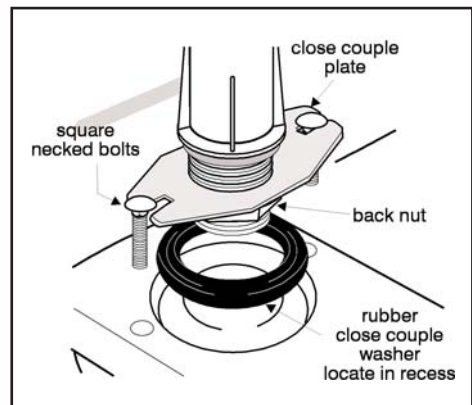
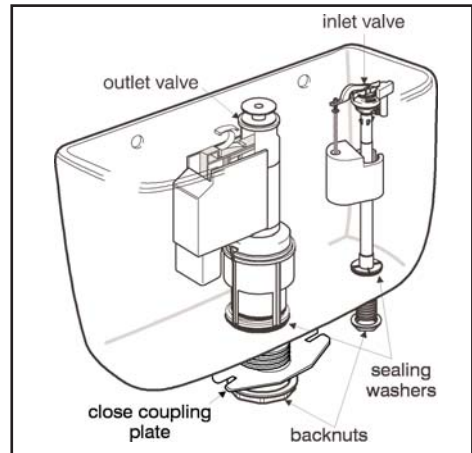
- Check the pack and make sure you have all the parts listed. If not, contact the vendor who will be able to help you.
- When you are ready to start, make sure that you have the right tools to hand, plenty of space and a clean area for assembly.

Important Notes

- The flow restrictor (T) should be used if the inlet water pressure to the inlet valve exceeds 1.4 Bar.
- Take care to avoid cross-threading. Do not overtighten backnuts.
- **Caution:** Care should always be taken when drilling into walls and floors to avoid any sunken wires or pipes.
- **Please Note:** Although these instructions are comprehensive, it is always recommended that a technically competent installer should undertake installation.
- **Servicing valve:** The Water Regulations have a requirement to fit a servicing valve adjacent to the cistern. (Not supplied).

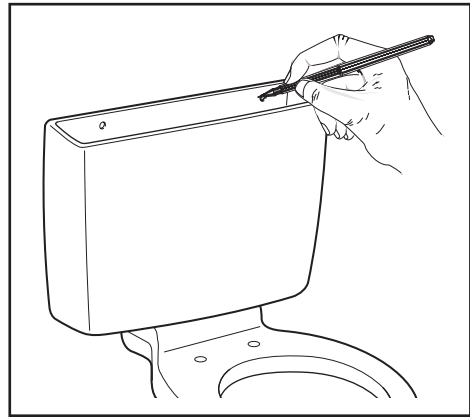
Assembly

- 1 Remove the backnut (E) from the inlet valve (D).
Insert the inlet valve through the hole in the base of the cistern, ensuring the washer (F) is in place to seal and centralise the valve in the hole. Secure the inlet valve in position with the backnut, making sure the inlet valve is not in contact with the cistern wall.
2. Remove the backnut (B) from the flush valve (A). Insert the flush valve through the hole in the base of the cistern, ensuring that the washer (C) is in place. Place the coupling plate (G) over the tail of the flush valve.
Secure the flush valve using backnut, making sure that the flush valve is not in contact with the inlet valve.
3. Place the sealing gasket (donut washer) (K) into the recess on the backplate of the WC pan.
Place the two coupling plate bolts (H) into the slots on either side of the coupling plate (G).
Lower the cistern onto the backplate of the WC pan.
Secure the cistern in position by applying washers (I) and wing nuts (J) onto the bolts (H).
Do not overtighten.



Assembly

- 4 Place the WC in the required position. With cistern lid removed, mark the position of the screw holes in the rear of the cistern and in the base of the pan. Remove the WC away from its location and drill and plug the positions marked on the wall and floor. Replace the WC in position and secure to the wall and floor using suitable fixings (not supplied).

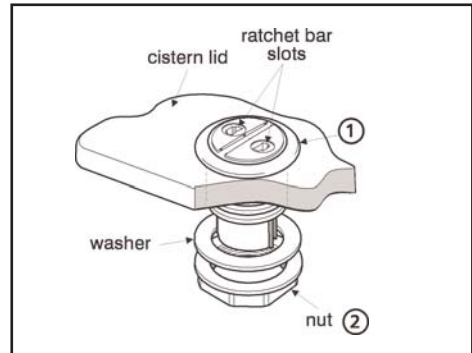


5. Connect the water supply and waste connections. Turn on the water supply and allow the cistern to fill. Adjust the float on the inlet valve so that the valve stops the flow of water when the water level is at the same height as the waterline marked in the cistern. Check for leaks.

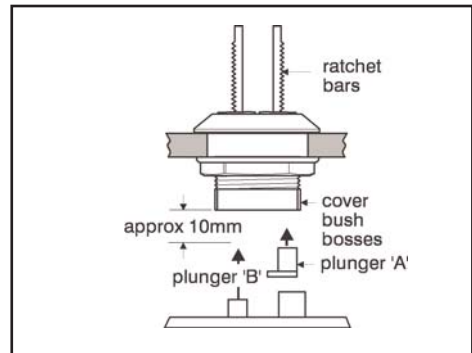


Fit Push Button

- Fit the push button (L) into the cistern lid and secure with the washer (M) and backnut (N), aligning the ratchet bar slots left and right



- Push ratchet bars (O) through the push button slots with the spigot ends facing downwards and outwards, so that the bars project approximately 10mm from the cover bush bosses. Push the small button plunger marked 'A' (part P), onto the right hand ratchet bar. Push the large button plunger marked 'B' (part Q) onto the left hand ratchet bar.



- Lower the cistern lid onto the cistern. whilst holding the left hand button firmly down, push the top end of the ratchet bar with a thin screwdriver down until it stops, then release.
- Repeat above step for the right hand button.
- If the top ends of the ratchet bars are level or below the push button face, push the cover caps, (R & S), onto the corresponding buttons, ensuring they snap into place.

11. If the ratchet bars protrude above the push button face, make a mark on the ratchet bars, level with the button faces.

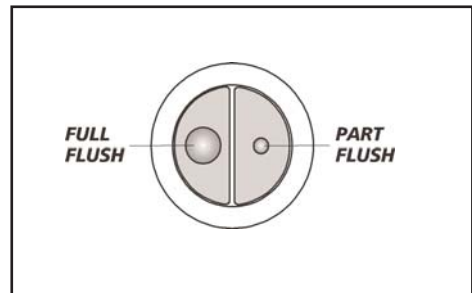
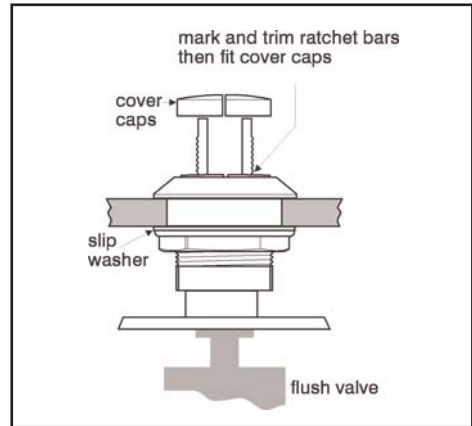
12. Remove the cistern lid and pull the ratchet bars out of the button from underneath, then remove plungers 'A' and 'B'.

13. Cut the ratchet bars on the first notch below the mark.

14. Push ratchet bars (O) through the push button slots with the spigot ends facing downwards and outwards, until the top of the ratchet bars are level or just below the push button face.

Push the small button plunger marked 'A' (part P) onto the right hand ratchet bar. Push the large button plunger marked 'B' (part Q) onto the left hand ratchet bar. Push the cover caps (R and S) onto the corresponding buttons, ensuring they snap into place.

15. Lower the cistern lid onto the cistern.



Care and Use

- Clean using warm soapy water only.
- Do not use scourers, abrasives or chemical cleaners.

Product Care

All our products are designed, manufactured and supplied to give many years of reliable service, provided they are properly maintained and cared for.

These are our recommendations to make sure that your bathroom stays looking good:

Vitreous China – Ceramic toilets, cistern tanks

Do's

Use warm soapy water, cream or liquid cleaner.

Occasional use of mild bathroom lime scale removers is acceptable.

Use in accordance with manufacturers instructions, rinsing well with plenty of water.

Inlet valve filter to be cleaned regularly.

Don't

Do not put bleach products in the cistern – this can damage the internal fittings.

It is acceptable to use in the toilet bowl itself.

Never put strong cleaner or bleach in overnight.

Never mix different cleaners in the WC – they can react to give off poisonous gas.

Plastic WC Seats

Do's

Clean immediately after use to stop a build up of dirt and scale.

Use warm soapy water, Cif cream cleaner or Domestos Multi Active surface cleaner.

Polish out minor scratches and abrasions with a mild polishing compound.

Don't

Never leave pools of soap, shampoo or cleaning detergent (please see above) – these can cause permanent stains.

Never let cigarettes/flames near - your seat can burn and melt.

Never use household chemicals – a range of products such as paint stripper, nail varnish remover, household bleach, perfume, aftershave or strong disinfectant.

We cannot recommend the use of any scouring products or cream cleaners other than Cif.

Never mix different cleaners on your seat – they can react to give off poisonous gas.

Product Guarantee

L I F E T I M E

All Ideal Standard ceramic products

5 Y E A R S

Toilet seat and cover

WC cistern fittings

This covers products in domestic use by the consumer and not commercial or business use.

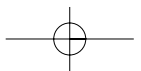
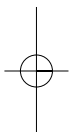
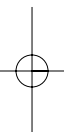
All Ideal Standard products must be installed, used and cared for in line with our fixing instructions, local water byelaws and current water regulations.

Access to our products for installation, service or repair and costs relating to this is the owners or installers' responsibility.

Parts are guaranteed for five years and will be replaced if found faulty.

This guarantee does not cover general wear and tear.

Applies to the UK and Republic of Ireland only.



CUSTOMER CARE HELPLINE
0870 1258905
FAX LINE 01482 499611
email: ukcustcare@IdealStandard.com

We pursue a policy of continuing improvement in design and performance of our products. The right is, therefore, reserved to vary specifications without notice.